

# 9140UA CAN UPGRADE

## Installation of CAN Adapter Board

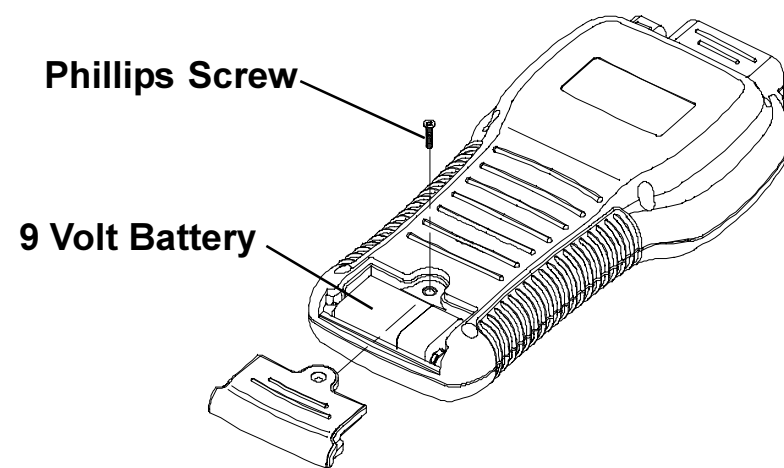
**IMPORTANT** READ AND UNDERSTAND BEFORE INSTALLING. IF THERE ARE ANY QUESTIONS CALL 1-800-228-7667

### STEP 1

Disconnect Counter Tool and cables from vehicle.

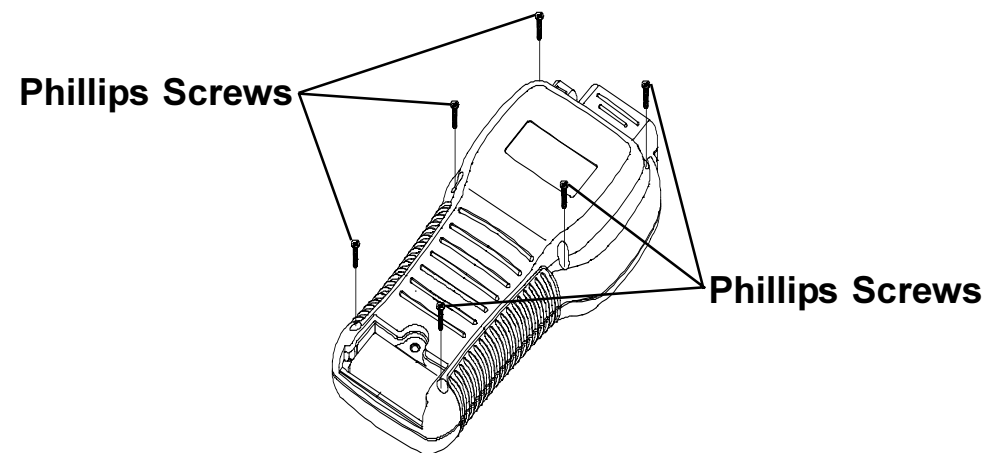
### STEP 2

Remove 1 phillips screw and 9 volt battery.



### STEP 3

Remove 6 phillips screws from back cover.



### IMPORTANT

Small needle nose pliers (not included) may be helpful to remove jumpers.

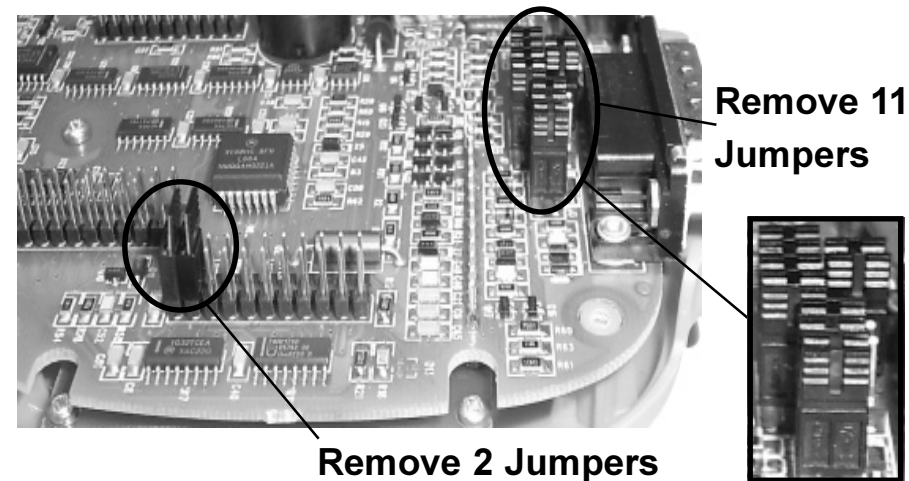
When removing jumpers, metal contacts could fall out causing damage to Counter Tool.

### CAUTION

When working with circuit boards make sure to avoid touching internal components.

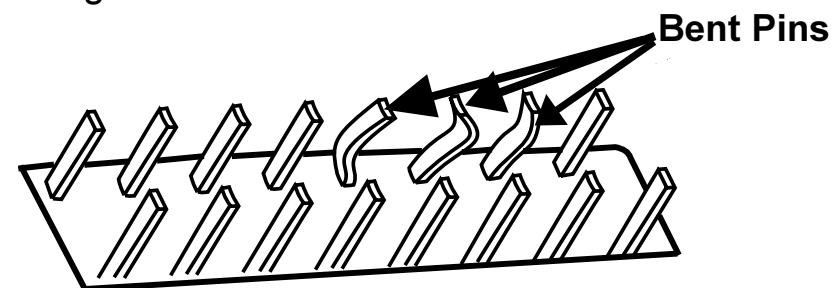
### STEP 4

Remove jumpers from circuit board inside Counter Tool.



### STEP 5

Inspect connector pins on circuit board making sure pins are straight and not bent.



### CAUTION

Before installing CAN adapter board straighten any bent connector pins.

### STEP 6

Remove CAN adapter board from anti-static bag making sure to handle adapter board by the edges.

### CAUTION

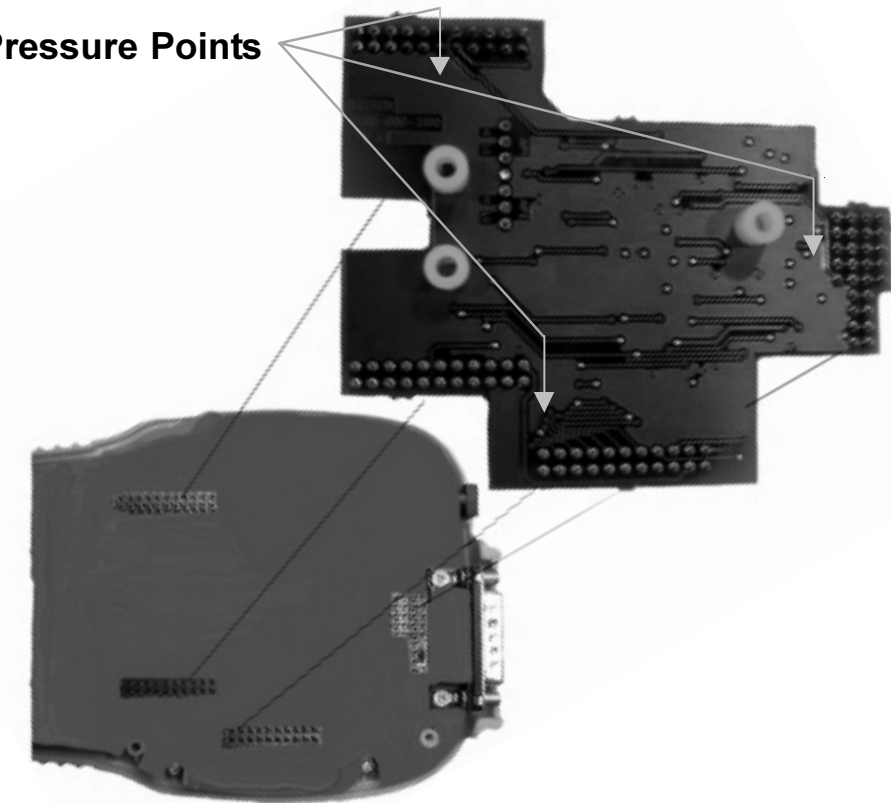
Make sure not to bend pins.

Make sure no jumpers or components on circuit board are touching adapter board or are loose that could cause damage to Scan Tool.

### STEP 7

Place CAN adapter board on Counter Tool circuit board pins. **DO NOT** push adapter board down. Check that all pins are aligned with connectors on adapter board. Then gently and evenly push CAN adapter board at the pressure points indicated onto Counter Tool circuit board until completely down.

Pressure Points



### STEP 8

Replace back cover, battery and battery cover in reverse order they were removed. Proceed to Installation of 9140UA CAN Software.

### CAUTION

Do not overtighten phillips screws.

# Installation of 9140UA CAN Software

**IMPORTANT** Install the CAN Adapter Board before installing software

After 9140UA CAN Adapter Board installation, 9140UA CAN Software must be installed for tool to work correctly.

**STEP 1**  
Remove software serial number and place on CD in space provided.

**STEP 2**  
Register Software by calling 1-800-228-7667 and receive an authorization number.

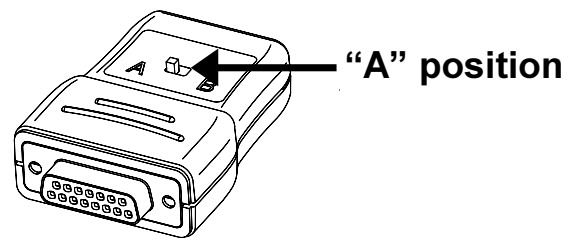
Scan Tool Serial Number: \_\_\_\_\_

Software Serial Number: \_\_\_\_\_

Authorization Number: \_\_\_\_\_

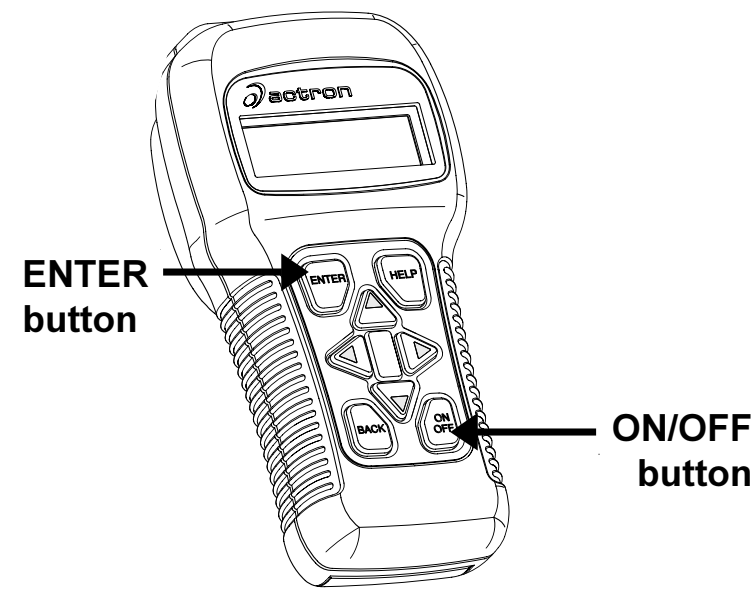
**IMPORTANT** A computer is not required for an authorization number but a computer, counter tool serial number and software serial number are required to update Counter Tool software.

**STEP 3**  
Place RS232 Adapter switch to the "A" position.

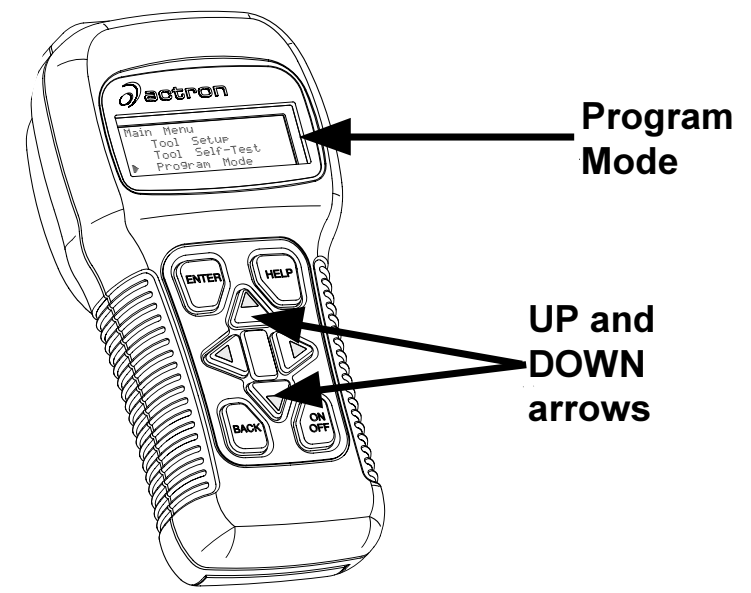


**STEP 4**  
Connect a serial cable from a computer to the RS232 adapter that connects to the counter tool.

**STEP 5**  
Press ON/OFF button on Counter Tool then press ENTER when told.

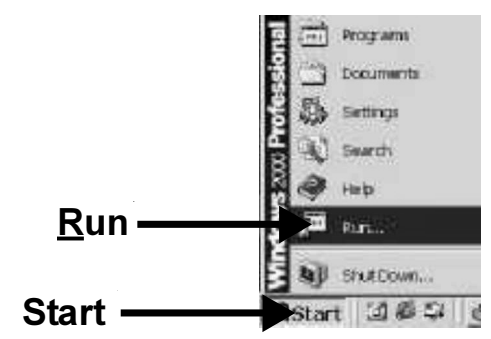


**STEP 6**  
Place scan tool in Program Mode using the ↑ and ↓ arrows and pressing ENTER.



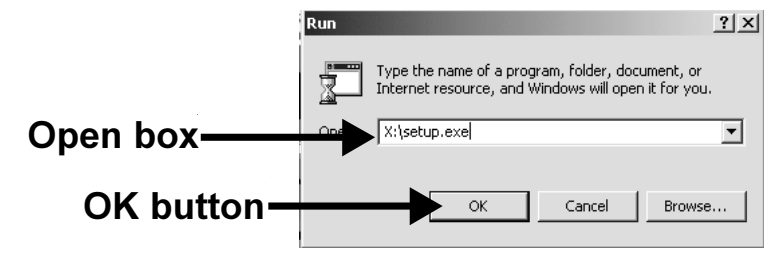
**STEP 7**  
Close all programs on computer and place CD in drive.

**STEP 8**  
Click Start then Run on computer.



**STEP 9**  
Type "X:\setup.exe" in open box on computer and press OK.

**IMPORTANT** X is the CD-ROM drive letter on your computer.



**STEP 10**  
Follow screen prompts on computer to complete software download.

**IMPORTANT** Check for green light on computer monitor. If light is red, move switch on RS232 adapter to "B" position.

**IMPORTANT** If downloading process stops, repeat STEP 5 through STEP 9.